



# Phantom TM Tunable Tungsten

Product code: F002S030P

## KEY FEATURES

- CCT from 2700 K to 4100 K
- CRI average at 3200K: 96
- Proportional zoom from 13° to 65°
- Internal barndoor framing system (Patented): framing system offering four independently variable axial blades with proportional rotation of the assembly through 90°
- Green-Magenta Adjustment
- Ultra quiet operation: ideal for low noise applications
- Flicker-free operations with LEDs frequency controlled via DMX from 600 Hz to 19000 Hz
- Fan setting with 3 different options (low-noise, auto-silent, DMX)



## SPECIFICATIONS

- RGBW color mixing
- CCT: all whites from 2700 to 4100 K
- Green-Magenta adjustment
- Proportional Zoom from 13° to 65°
- Barndoor framing system (Patented) : framing system offering four independently variable axial blades with proportional rotation of the assembly through 90°.
- Electronic 16 bit dimming with 2 selectable curves, simulating halogen or discharge lamp based fixtures
- Flicker-free operation with LEDs frequency controlled via DMX from 600 Hz to 19000 Hz
- Fan setting with 3 different options (low-noise, auto-silent, DMX)
- Weatherproof rating IP 20

## LIGHT SOURCE

- Modular RGBW LEDs
- Color Rendition at 3200K: CRI Average > 96, TLCI Average > 94
- LEDs life: 20.000 hours at 70% lumen intensity maintenance

## PHYSICAL SIZE

- Height: 730.1 mm (28.7 in)
- Width: 551.3 mm (21.7 in)
- Depth: 376.5 mm (14.8 in)
- Weight: 30 Kg (66.1 lbs)

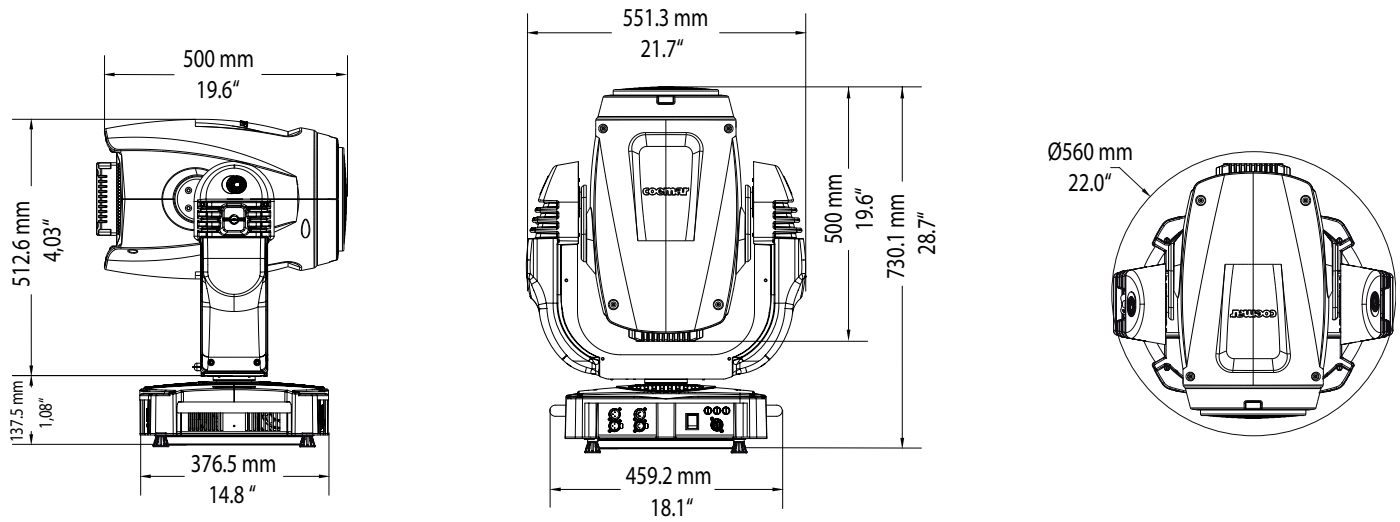
## CONTROL PROTOCOL AND PROGRAMMING

- USITT DMX512A
- DMX channels: 23
- Setting, addressing, testing and measurements via LEDs display
- Remote Device Management (RDM)

## ELECTRICAL SPECIFICATIONS AND CONNECTIONS

- AC power: 90-200V, auto sensing, 50/60 Hz
- In and Out PowerCon connectors with 2 m (6.6 ft) PowerCon cable without power plug
- Max power consumption: 400 W
- Power consumption: 1.69 A at 230 V, 4.30 A at 90 V -  $\cos\phi$  0.94
- DMX data in/out: 5 pin locking XLR

## DRAWING SIZE



## DMX CHARTS

23 channels	
1	x axis, base movement (pan) coarse
2	x axis, base movement (pan) fine
3	y axis, base movement (tilt) coarse
4	y axis, base movement (tilt) fine
5	movement speed
6	master dimmer
7	dimmer fine
8	CCT
9	green saturation
10	led mode
11	red
12	green
13	blue
14	white
15	strobe
16	zoom
17	framing shutter 1
18	framing shutter 2
19	framing shutter 3
20	framing shutter 4
21	framing rotation
22	special function
23	reset, display on/off, autofocus

## PHOTOMETRIC DATA

The Phantom TM Photometric Data may be downloaded from [www.coemar.com](http://www.coemar.com).