

KL FRESNEL 6™



KL FRESNEL 6™ is a 150W 3,000K >95CRI Warm White LED fresnel, producing over 6,500 total lumen output, on par with compatible tungsten halogen models. Features include manual and DMX control, 15° to 38° wide manual zoom, manual and DMX controlled dimmer and shutter, dimmer and zoom rotary dials, smooth 16-bit selectable dimming curve modes, LED refresh rate frequency and gamma brightness adjustment for flicker free operation for TV and FILM, removable barn doors (included), RDM (remote device management) protocol support, 3/5pin DMX and powerCON in/out connections, 4 button control panel, LCD menu display, multiple unit power linking, a universal auto switching power supply (100-240v), gel frame and rotating bar doors (included), and a 3 clamp position adjustable mounting yoke.

FEATURES

- 150W 3,000K >95CRI Warm White LED Engine**
- 6,500+ Total Lumen Output**
- Output On Par with Tungsten Halogen Models**
- 15° to 38° Wide Manual Zoom**
- Manual and DMX Controlled Dimmer and Shutter**
- Dimmer and Zoom Rotary Dials**
- Smooth 16-bit Selectable Dimming Curve Modes**
- LED Refresh Rate and Gamma Brightness Adjustment**
- Flicker Free Operation for TV and FILM**
- RDM (Remote Device Management)**
- Gel Frame and Rotating Barn Doors (included)**
- 3 Clamp Position Adjustable Mounting Yoke**



PRODUCT SPECIFICATIONS

SOURCE

150W >95CRI 3,000K Cool White LED
 50,000 Hour Average LED Life*

*LED Life may vary depending on several factors including but not limited to:
 Environmental Conditions, Power/Voltage, Usage Patterns (On-Off Cycling), Control and Dimming.

PHOTOMETRIC DATA

17,829 LUX 1,656 FC @6.6' (2m) (Min Zoom / Full ON)
 4,412 LUX 410 FC @6.6' (2m) (Max Zoom / Full ON)

EFFECTS

15° - 38° Wide Motorized Zoom
 Electronic Strobe
 Variable 16-bit Dimming Curve Modes

COLOR

Warm White 3,000K

CONTROL / CONNECTIONS

Manual and DMX Controlled Dimmer and Shutter
 Dimmer and Zoom Rotary Dials
 (4) DMX Channel Modes (1 / 2 / 3 / 4)
 4 Button Control Panel LCD Menu Display
 RDM (Remote Device Management)
 3/5pin DMX and powerCON TRUE1 In/Out

SIZE / WEIGHT

Length: 19.62" (498.5mm)
 Width: 10.75" (273mm)
 Vertical Height: 15.47" (393mm)
 Weight: 18.5 lbs. (8.4kg)

ELECTRICAL / THERMAL

AC 100-240V - 50/60Hz
 180W Max Power Consumption
 Multiple Unit Power Linking
 5°F to 113°F (-15°C to 45°C)

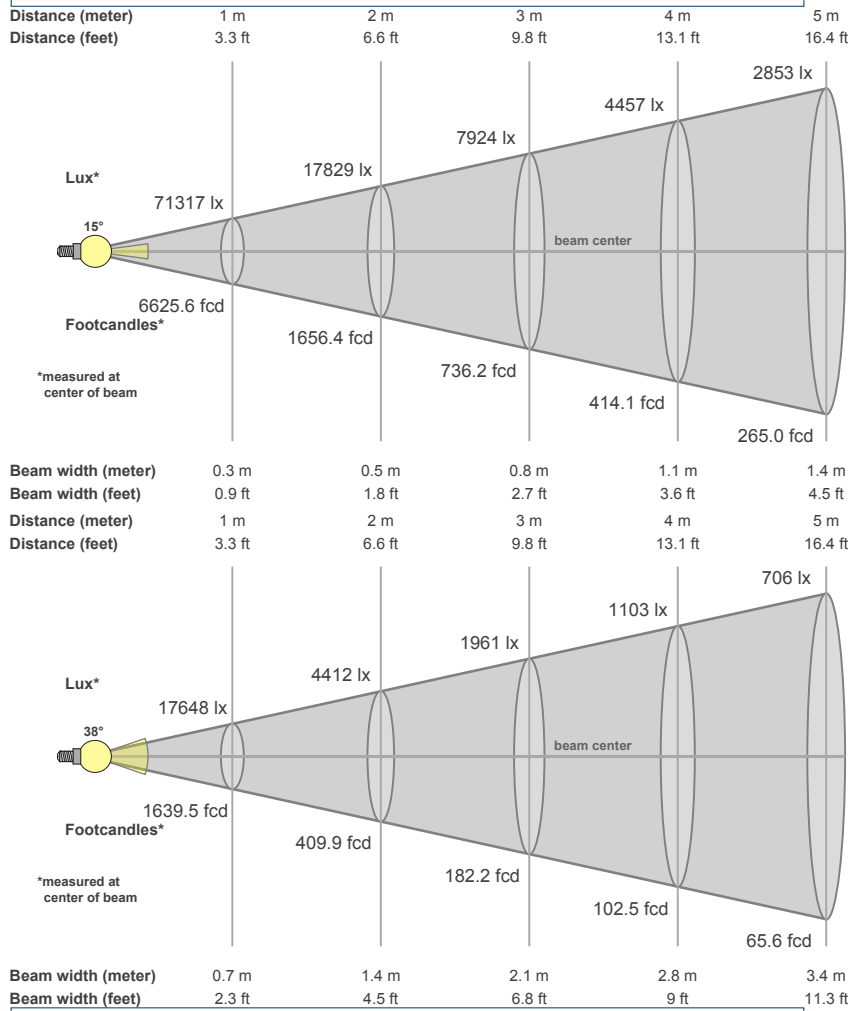
INCLUDED ITEMS

Gel Frame and Rotating Barn Doors
 powerCON TRUE1 Power Cable
 Barn Doors and Fixture Safety Cables

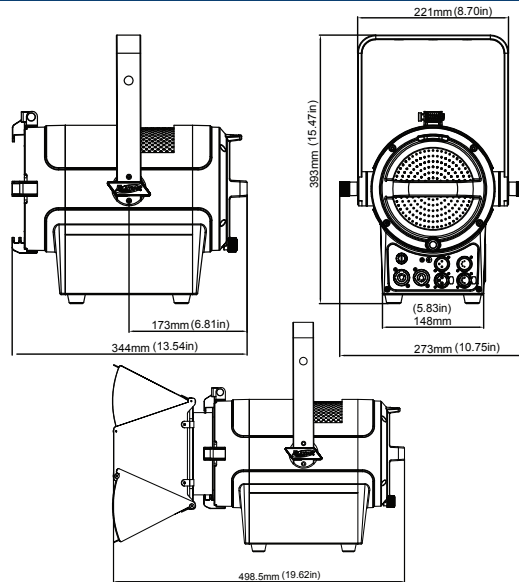
APPROVALS / RATINGS



PHOTOMETRIC DATA



DIMENSIONAL DIAGRAMS



ORDERING INFORMATION

KLF012	KL FRESNEL 6
TRIGGER CLAMP	Heavy Duty Wrap Around Hook Style Clamp
AC5PDMX5PRO	5 ft. (1.5m) 5pin PRO DMX Cable (Additional cable lengths available)
PLC3	3 ft. (1m) PowerCON Power Link Cable

Specifications subject to change without notice ©Elation Professional 11/29/18

